

# CNB POWER

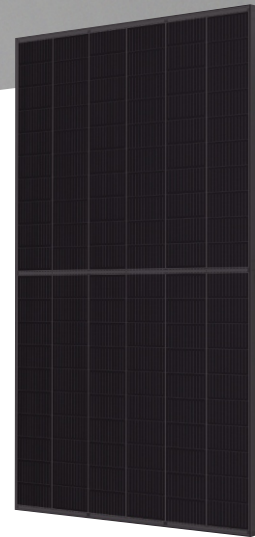
Quality Maker

## CNBPOWER® SERIES 6

# 585-605W Mono FULL BLACK

120 Half-Cell Layout

M12/210mm Cell



Ideal Choice For Large Scale Ground Installation  
Lower BOS & LCOE



High Density Interconnect Technology



Gallium-doped Technology



Anti-PID  
Low LID  
Performance

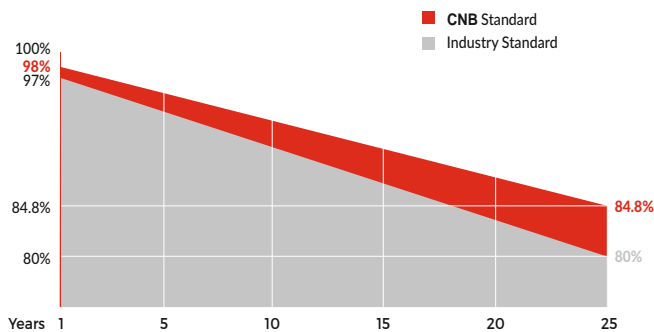


Less Hot Spot Shading Effects



Full Black Appearance for Aesthetic Effect

### Linear performance Warranty



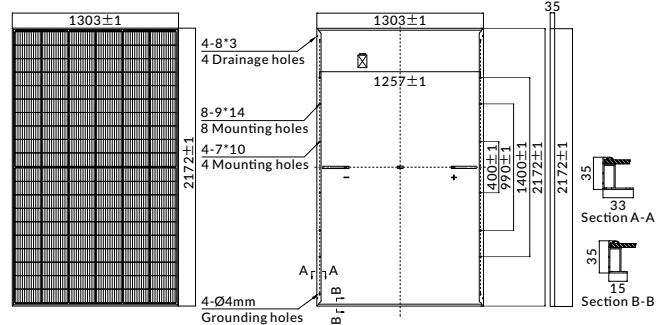
### Comprehensive Certificates

- ISO9001:2015 QMS
- ISO14001:2015 EMS
- ISO45001:2018 OHSMS
- IEC61215/IEC61730 Standard quality



MECHANICAL CHARACTERISTICS

Solar Cells	Mono
No. of Cells	120 (6x20)
Dimensions	2172 x 1303 x 35mm
Weight	31.0kg
Front Glass	3.2mm coated tempered glass
Frame	Anodized aluminium alloy
Junction Box	Ip68 rated (3 by pass diodes)
Output Cables	4.0mm <sup>2</sup> 300mm (+) / 300mm (-) Length can be customized
Connectors	Mc4 compatible
Mechanical load test	5400Pa



ELECTRICAL PARAMETERS

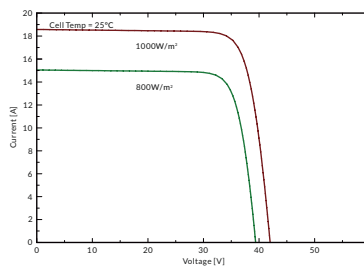
POWER CLASS	LNEK-585M		LNEK-590M		LNEK-595M		LNEK-600M		LNEK-605M	
	STC	NMOT	STC	NMOT	STC	NMOT	STC	NMOT	STC	NMOT
Maximum power (Pmax)	585W	444W	590W	448W	595W	452W	600W	456W	605W	460W
Open Circuit Voltage (Voc)	41.17V	38.52V	41.34V	38.72V	41.52V	38.92V	41.69V	39.11V	41.87V	39.31V
Short Circuit Current (Isc)	18.36A	14.90A	18.42A	14.94A	18.47A	14.98A	18.53A	15.02A	18.58A	15.06A
Voltage at Maximum power (Vmpp)	34.18V	31.65V	34.37V	31.80V	34.55V	31.94V	34.72V	32.09V	34.91V	32.24V
Current Maximum Power (Impp)	17.11A	14.03A	17.17A	14.09A	17.22A	14.15A	17.28A	14.21A	17.33A	14.27A
MODULE EFFICIENCY (%)	20.67%		20.85%		21.02%		21.20%		21.38%	

STC: Irradiance 1000W/m<sup>2</sup>, cell temperature 25°C, AM1.5G    NMOT: Irradiance 800W/m<sup>2</sup>, ambient temperature 20°C, wind speed 1m/s, AM1.5G

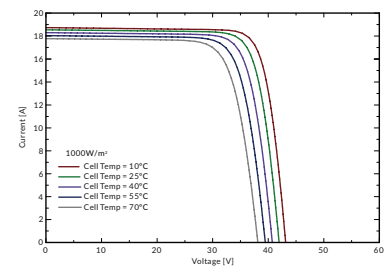
PACKING CONFIGURATION

Container	40'HQ
Pieces per pallet	32
Pallets per container	18
Pieces per container	576

I-V CURVE



LNEK-605M/I-V



OPERATING CHARACTERISTICS

Operating Module Temperature	-40°C to +85°C
Maximum System Voltage	1500 DC (IEC)
Maximum Series Fuse Rating	30A
Power Tolerance	0/+5W

TEMPERATURE CHARACTERISTICS

Nominal Operating Temperature (NMOT)	43±2°C
Temperature Coefficient of Pmax	-0.34%/°C
Temperature Coefficient of Voc	-0.25%/°C
Temperature Coefficient of Isc	+0.04%/°C

**Note:** The specifications, data and technical characteristics provided in this data sheet are subject to changes due to continuous R&D, product innovation and improvement. CNB SOLAR reserves the right to modify the information any time without prior notice.